



INPUT VOLTAGE	MAX CURRENT DRAW	
10 – 30V DC	1A @ 12V DC	0.5A @ 24V DC

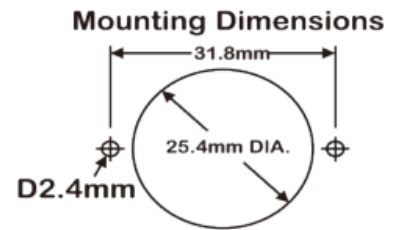
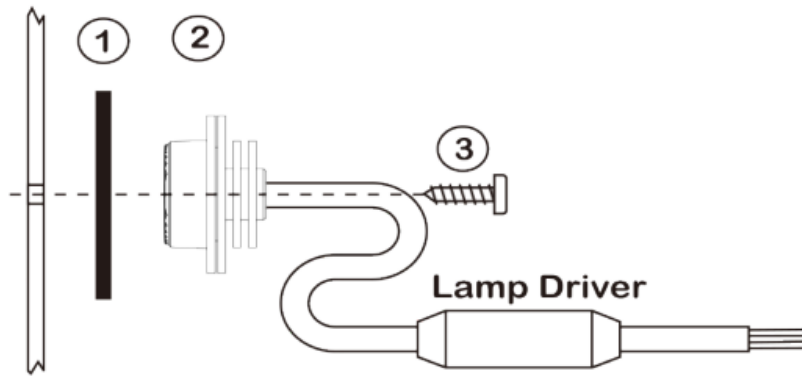
SINGLE COLOUR (4 WIRES)		DUAL COLOUR (5 WIRES)	
RED	*COLOUR A* Flashing Warning Lights (+) Positive Powered	GREEN	*COLOUR B* Flashing Warning Lights (+) Positive Powered
BLACK	Connect to Constant Negative Ground	Connect RED + GREEN Wires to Activate both COLOURS	
YELLOW	FLASH PATTERN SELECTION (+) Positive Momentary	SYNC	Connect all YELLOW wires
WHITE	To Alternate between two groups of lights (Group A and Group B), Connect the WHITE wires of Group A lights to Positive Power, whilst the WHITE wires of Group B lights remain Disconnected. This will allow HALO lights in Group A to flash first followed by Group B in an alternating sequence		

USER-SELECTABLE FLASH PATTERN LIST

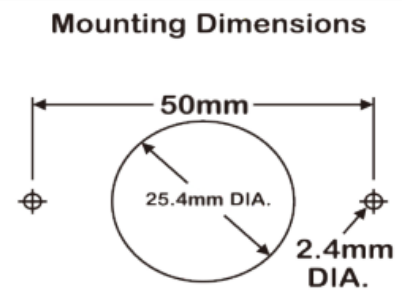
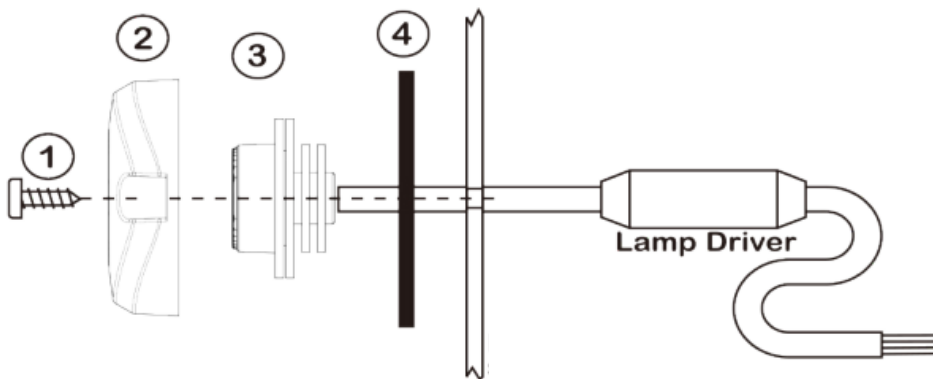
SINGLE COLOUR		DUAL COLOUR (ALTERNATING)	
P1	COMBO – Variable Cycle Pattern	P1	FULL – Fast Single Flash
P2	FULL – Fast Single Flash	P2	FULL – Fast Double Flash
P3	FULL – Fast Double Flash	P3	FULL – Fast Triple Flash
P4	FULL – Slow Single Flash	P4	FULL – Fast Quad Flash
P5	FULL – Slow Double Flash	P5	COMBO – Variable Flash
P6	FULL – Quad Flash	P6	FULL – Slow Single Flash
P7	FULL – Quint Flash	P7	FULL – Slow Double Flash
P8	FULL – Hyper Flash	P8	FULL – Slow Quad Flash
P9	COMBO FULL – Slow Single + Quad Flash	P9	FULL – Hyper Flash
P10	COMBO FULL – Slow Single + Hyper Flash	P10	COMBO – Slow Single + Quad Flash
P11	SPLIT – Single Flash	P11	FULL – Warp Sequence
P12	SPLIT – Double Flash	P12	FULL – Steady-On Glow for COLOUR 1
P13	SPLIT – Quad Flash	P13	FULL – Steady-On Glow for COLOUR 2***
P14	SPLIT – Quint Flash	<div style="background-color: red; color: white; padding: 10px; text-align: center;"> <h3>WARNING NOTICE</h3> <p>HIGH INTENSITY WARNING LIGHT DO NOT STARE DIRECTLY INTO LIGHT</p> </div>	
P15	SPLIT – Hyper Flash		
P16	COMBO SPLIT – Slow Single + Quad Flash		
P17	COMBO SPLIT – Slow Single + Hyper Flash		
P18	SPLIT – Half Steady-On + Half Double Flash		
P19	FULL – Warp Sequence		
P20	FULL – Steady-On Glow		

GROUPING		PROGRAMMING	
SIMULTANEOUS GROUPING	To Simultaneously flash all your lights together in one group with the same pattern at the same time, select the exact same PATTERN for each light and connect all the YELLOW wires together.	NEXT PATTERN	Apply YELLOW wire to Positive for < 1 Second
ALTERNATING GROUPING	To Alternate two separate groups of lights, select the same pattern for both groups and then connect Positive to the WHITE wires for the GROUP you'd like to alternate.	FACTORY RESET	Apply YELLOW wire to Positive for ≥ 5 Seconds

SURFACE RECESSED MOUNTED



SURFACE FLANGE MOUNTED



TAIL LIGHT HOUSING MOUNTED

